



**Manifold Block
Model : MDR10**

Ref. No. D 56020
Release 02 / 2024
ENGINEERING - 1 of 2

A Polyhydron Group Company

Description

This is a general purpose manifold having facility of mounting Direction Control Valve (conforming to ISO4401-AC-05-4-A) and Direct acting Pressure Relief Valve (conforming to Polyhydron standards DPR 10 cavity). Manifold comes with one inlet, two outlet, one gauge and one tank port.

Max working Pressure 350 bar.

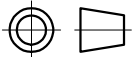
Refer Circuit Diagram for internal connections.



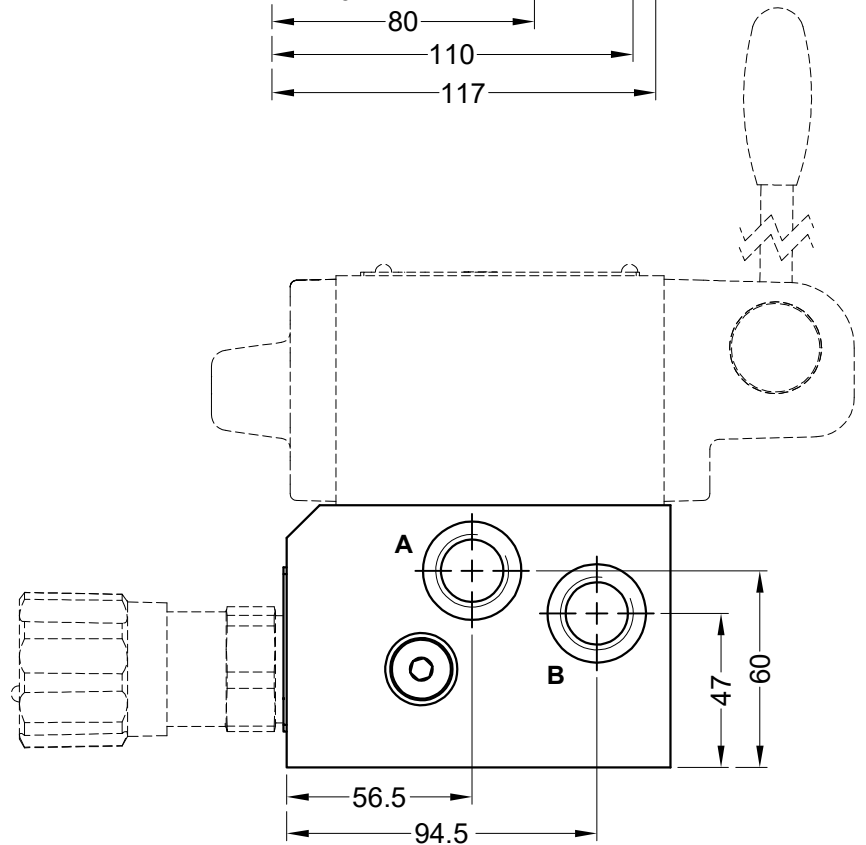
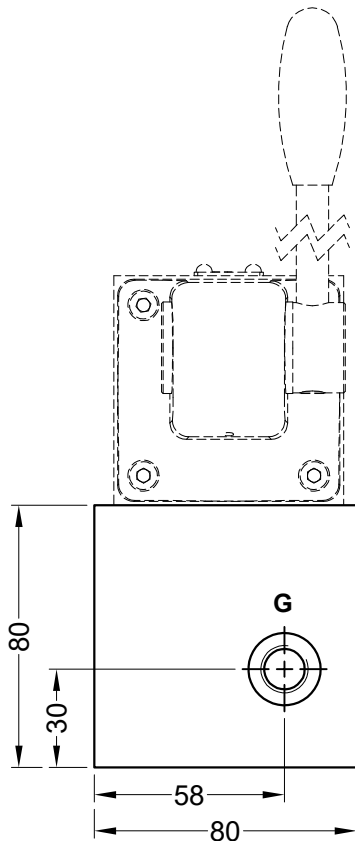
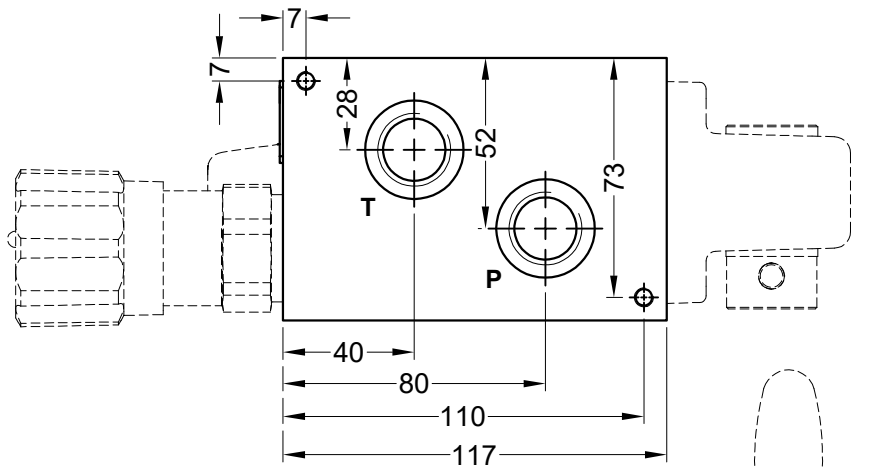
Note : Relief Valve Cartridge and Directional Control Valve to be procured separately as needed.

Unit dimensions

Dimensions in mm.

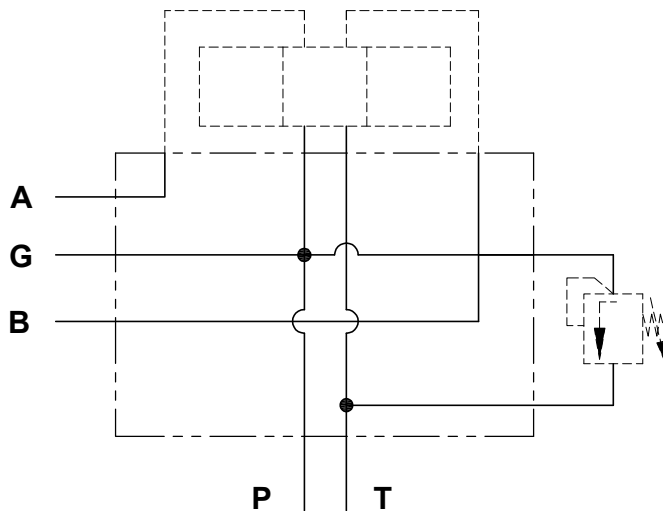


Port details	
P, T, A & B	G 1/2" BSP
G	G 1/4" BSP





Hydraulic Symbol



- P** : Pump inlet port
- T** : Tank port
- A** : Outlet port
- B** : Outlet port
- G** : Gauge port

Note : 'G' port to be Plugged using G $\frac{1}{4}$ "
Elastomeric Plug if port not in use.

Ordering code

