



A Polyhydron Group Company

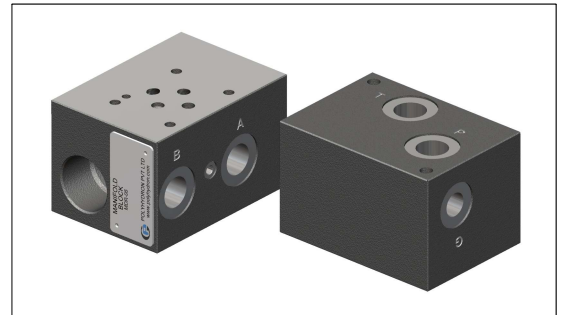
**Manifold Block  
Model : MDR06**

Ref. No. D 56000  
Release 02 / 2024  
ENGINEERING - 1 of 2

**Description**

This is a general purpose manifold having facility of mouting Direction Control Valve (conforming to ISO4401-03-02) and Direct acting Pressure Relief Valve (conforming to Polyhydron standards DPR 06 cavity). Manifold comes with one inlet, two outlet and one tank port. Max working Pressure 350 bar.

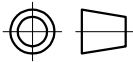
Refer Circuit Diagram for internal connections.



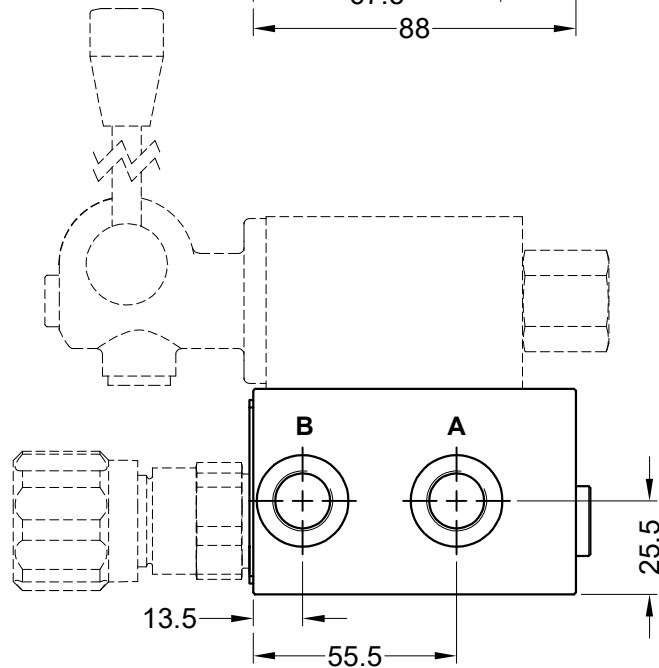
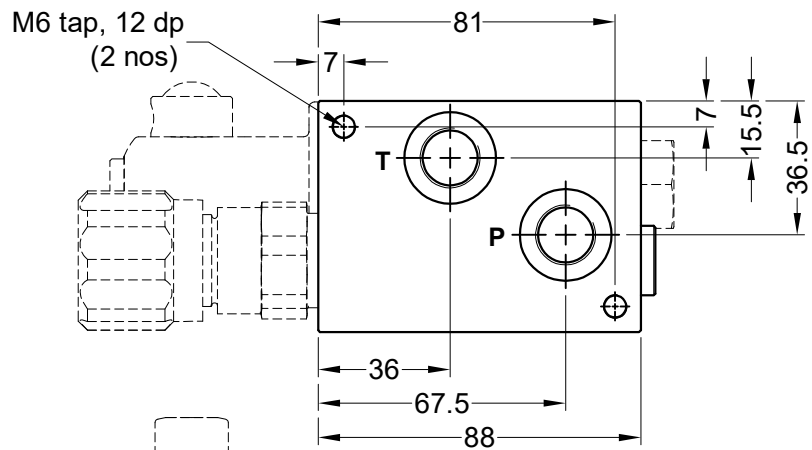
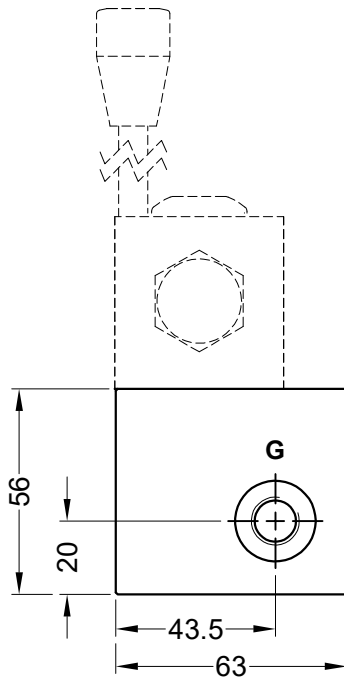
**Note :** Relief Valve Cartridge and Directional Control Valve to be procured seperately as needed.

**Unit dimensions**

Dimensions in mm.



Port details	
P, T, A & B	G 3/8 " BSP
G	G 1/4 " BSP



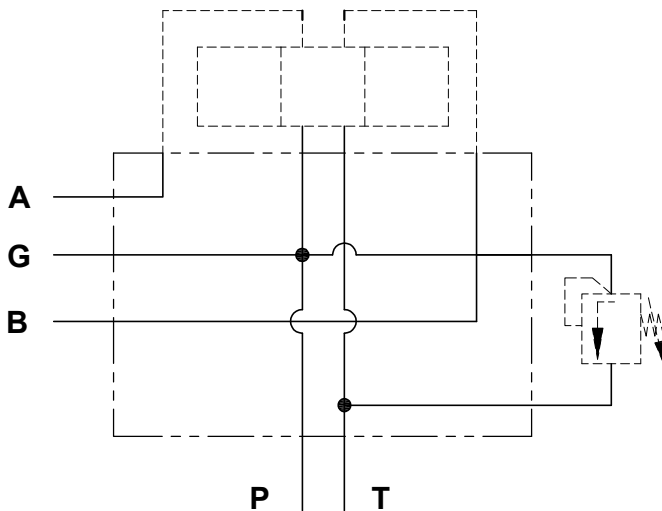
**polyhydron pvt. ltd.**

78-80, Machhe Industrial Estate,  
Machhe, Belgaum - 590 014. INDIA.

Phone : +91-(0)831- 2411001  
Fax : +91-(0)831- 2411002  
E-mail : sales@polyhydron.com  
Website : www.polyhydron.com



### Hydraulic Symbol



- P** : Pump inlet port
- T** : Tank port
- A** : Outlet port
- B** : Outlet port
- G** : Gauge port

**Note** : 'G' port to be Plugged using G  $\frac{1}{4}$ "  
Elastomeric Plug if port not in use.

### Ordering code

