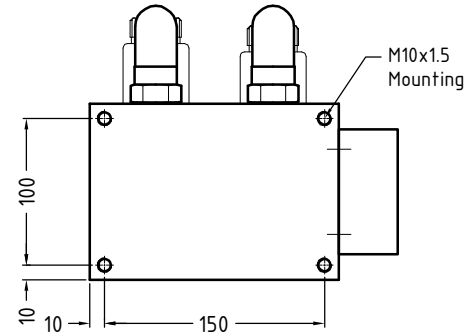
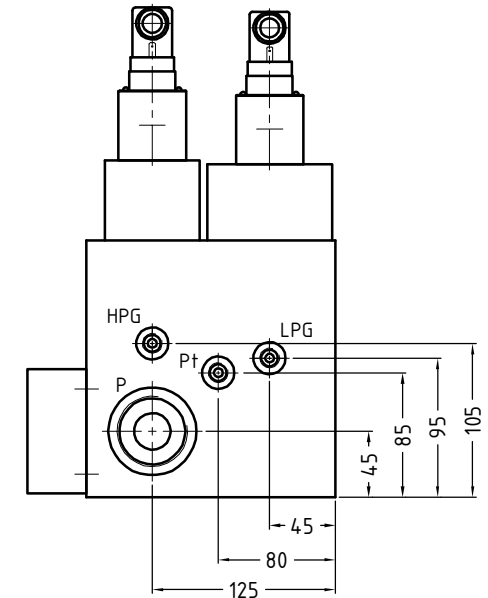
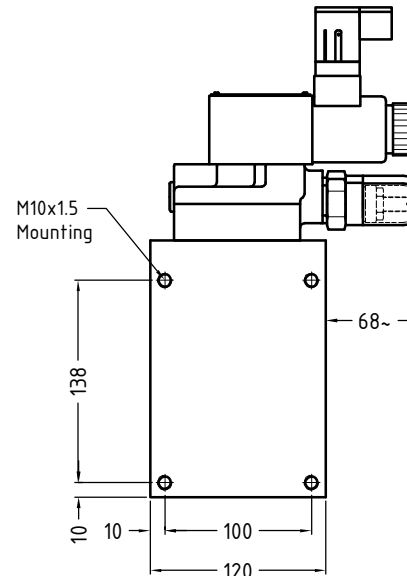
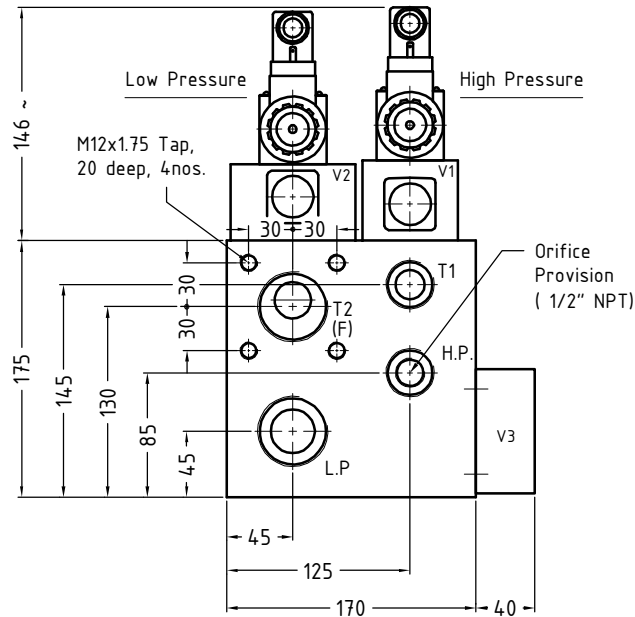
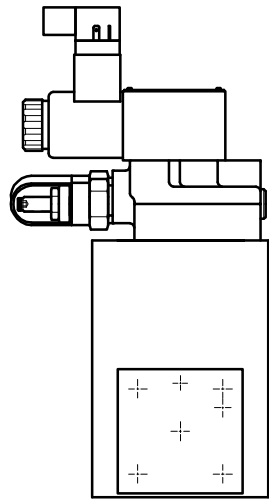


Hydraulic Circuit



Low Pressure Flow - 400 lpm.
 High Pressure Flow - 100 lpm.
 Low Pressure Setting - 100 bar.
 High Pressure Setting - 315 bar.

Port Details	
P	G 1 1/2
T1	G 1
T2 (F)	G 1 1/2
LP	G 1 1/2
HP	G 1
LPG	G 1/4
HPG	G 1/4
Pt	G 1/4



polyhydron pvt. ltd.

BELGAUM 590 014, INDIA

Assembly Layout
 Pressure Control Module
 PCM 30/16

P04399A