



A Polyhydron Group Company

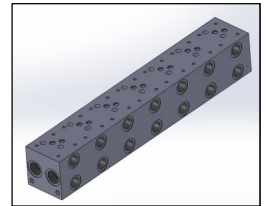
MULTI-STATION BAR MANIFOLD FOR MOUNTING FOUR-PORT VALVES HAVING INTERFACE CONFORMING TO ISO 4401-05-04

Ref. No. D03984
Release 11 / 2014

ENGINEERING - 1 of 2

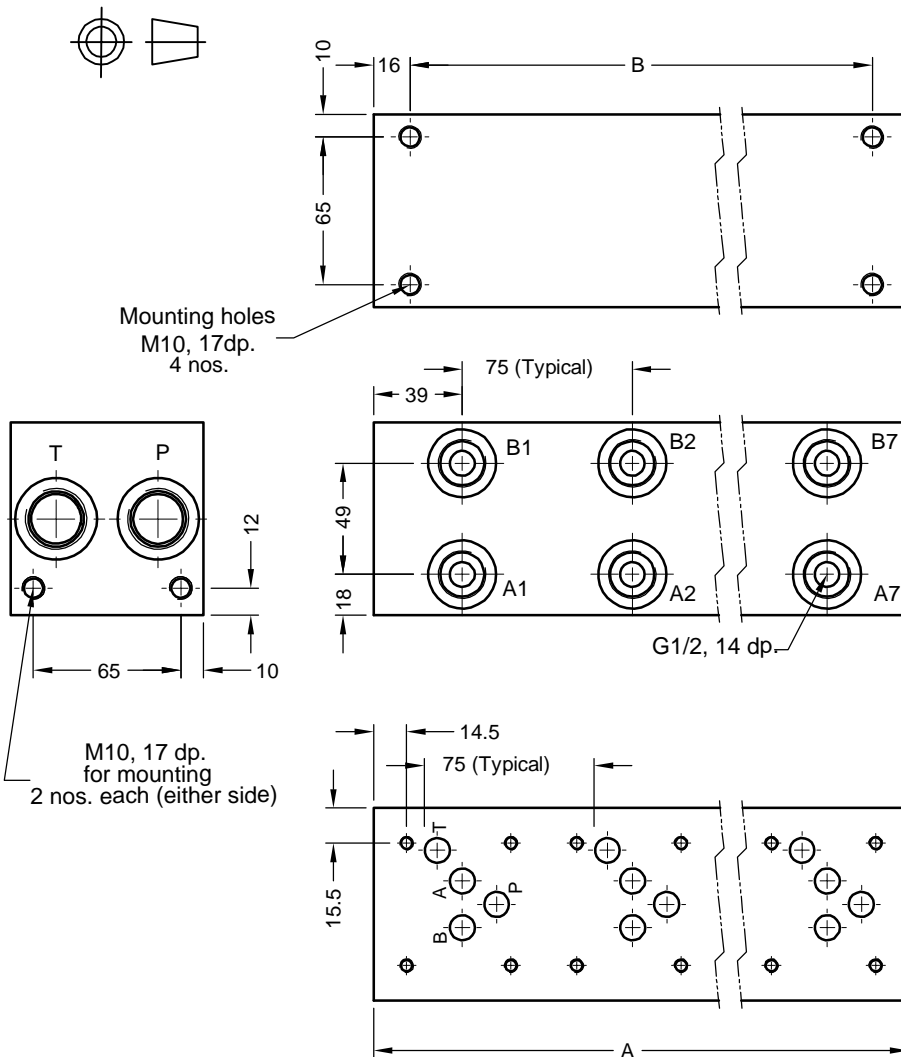
Description

These Bar Manifolds are designed to connect valves having interface conforming to ISO 4401-05-04 in parallel in least possible physical space. These Manifolds connect all P ports of the interface to a common passage generously sized for least possible pressure drop. So also the T ports. The maximum number of interfaces available on manifold bar are 07.

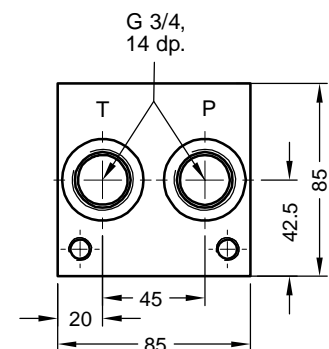
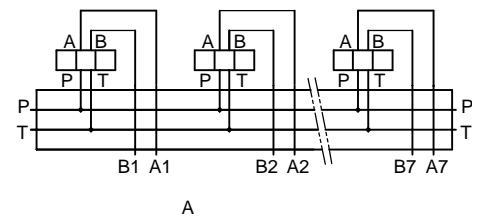


Unit dimensions

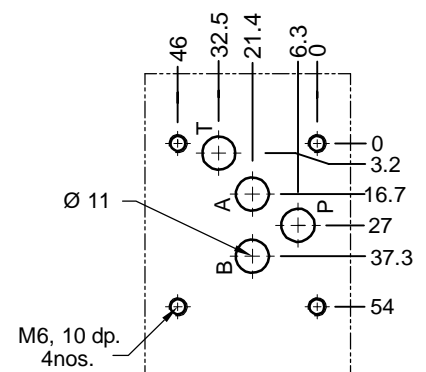
Dimensions in mm.



Hydraulic symbol



Interface Details



Material : Alluminium Alloy (Max. Pressure 315 bar)

No. of stations	1	2	3	4	5	6	7	-
Model no.	2P03983/1-10	2P03983/2-10	2P03983/3-10	2P03983/4-10	2P03983/5-10	2P03983/6-10	2P03983/7-10	-
A	75	150	225	300	375	450	525	-
B	43	118	193	268	343	418	493	-

polyhydron pvt. ltd.

78-80, Machhe Industrial Estate,
Machhe, Belgaum - 590 014. INDIA.

Phone : +91-(0)831- 2411001
Fax : +91-(0)831- 2411002
E-mail : polyhydron@gmail.com
Website : www.polyhydron.com



Ordering code

